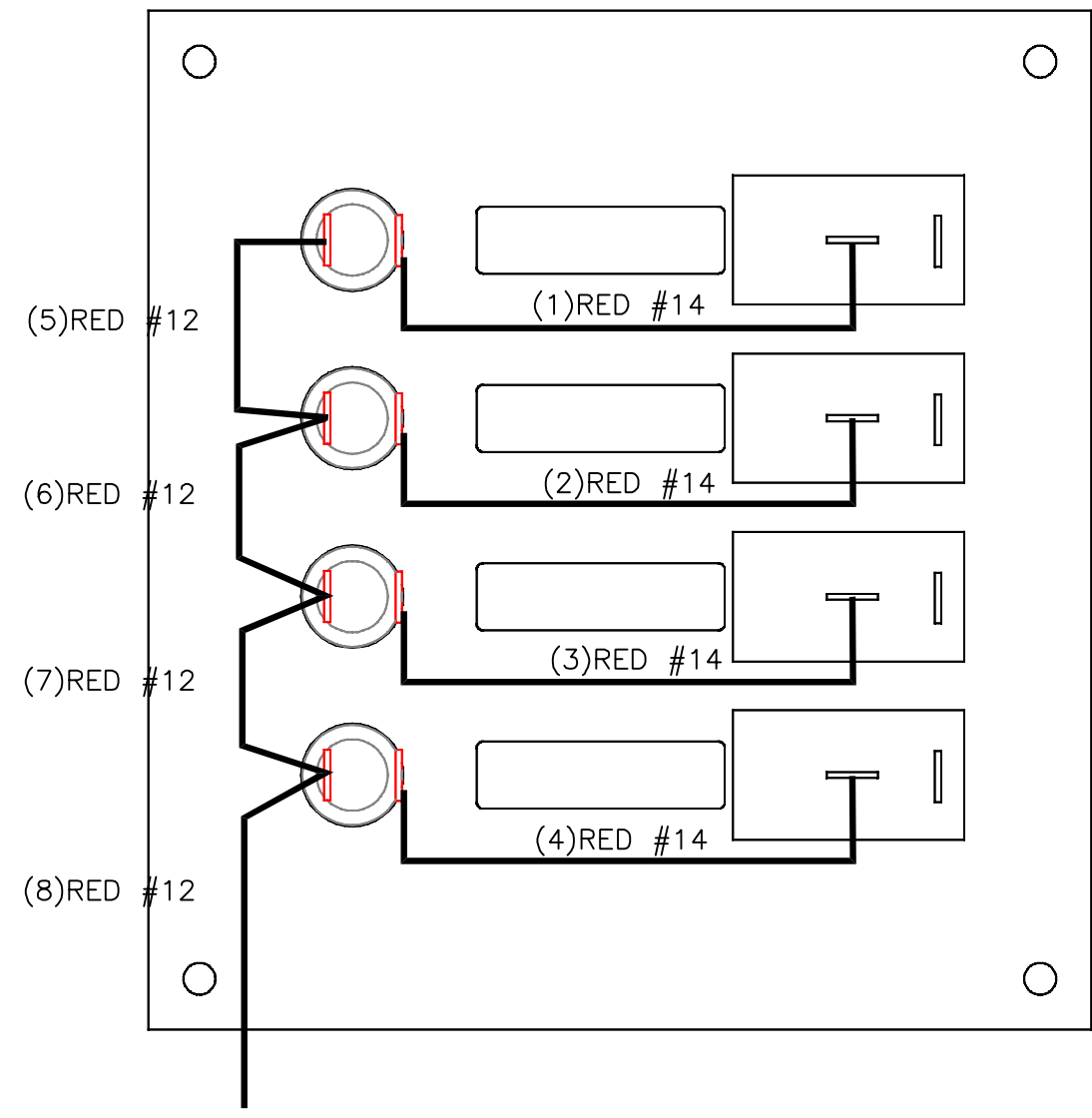


REVISIONS				
REV	DESCRIPTION	ECN	BY	DATE
0	INITIAL RELEASE	----	KP	7/13/05
1	REMOVED WIRE LEG FROM PANEL AND CREATED AS NEW P/N	2005178	KP	7/13/05



EXCLUSIVE PROPERTY OF PANELTRONICS, INC.
 NOT FOR RELEASE WITHOUT PROPER WRITTEN
 AUTHORIZATION THIS DOCUMENT DISCLOSES
 INFORMATION WHICH PANELTRONICS INCORPORATED
 HAS PROPRIETARY RIGHTS

NOTES:
 WIRES: 220-165

MATERIAL:

DRAWN BY: KP
 DATE: 7/13/05

SHEET: 2 OF 2
 SCALE: 1:1
 SIZE: B

PANELTRONICS
INCORPORATED

Paneltronics, Inc.
 11960 N.W. 87th Court
 Hialeah Gardens, FL 33018

REAR VIEW
DC 4 POSITIONS TOGGLE SWITCH

CUSTOMER: **PANELTRONICS**

SERIES/MODEL: **CAT**
 DRAWING #: **9960005**
 REV: **1**