

DC AMP METER	
RATING	PART No
50 DCA *	289-002
50 DCA	289-018
80 DCA	289-005
100 DCA	289-014
DIGITAL	570-002
* INTERNAL SHUNT	

DC VOLT METER	
RATING	PART No
B-18 VDC	289-001
B-32 VDC	289-017
0-50 VDC	289-025
DIGITAL	570-001

AC AMP METER	
RATING	PART No
50 ACA *	289-004
50 ACA	289-011
80 ACA	289-008
100 ACA	289-024
DIGITAL	570-004
* DIRECT READ	

AC VOLT METER	
RATING	PART No
0-150 VAC	289-003
0-300 VAC	289-007
DIGITAL	570-003

METER SHUNT "A"	
RATING	PART No
50/50 MW	289-015
80/50 MW	289-010
100/50 MW	289-013

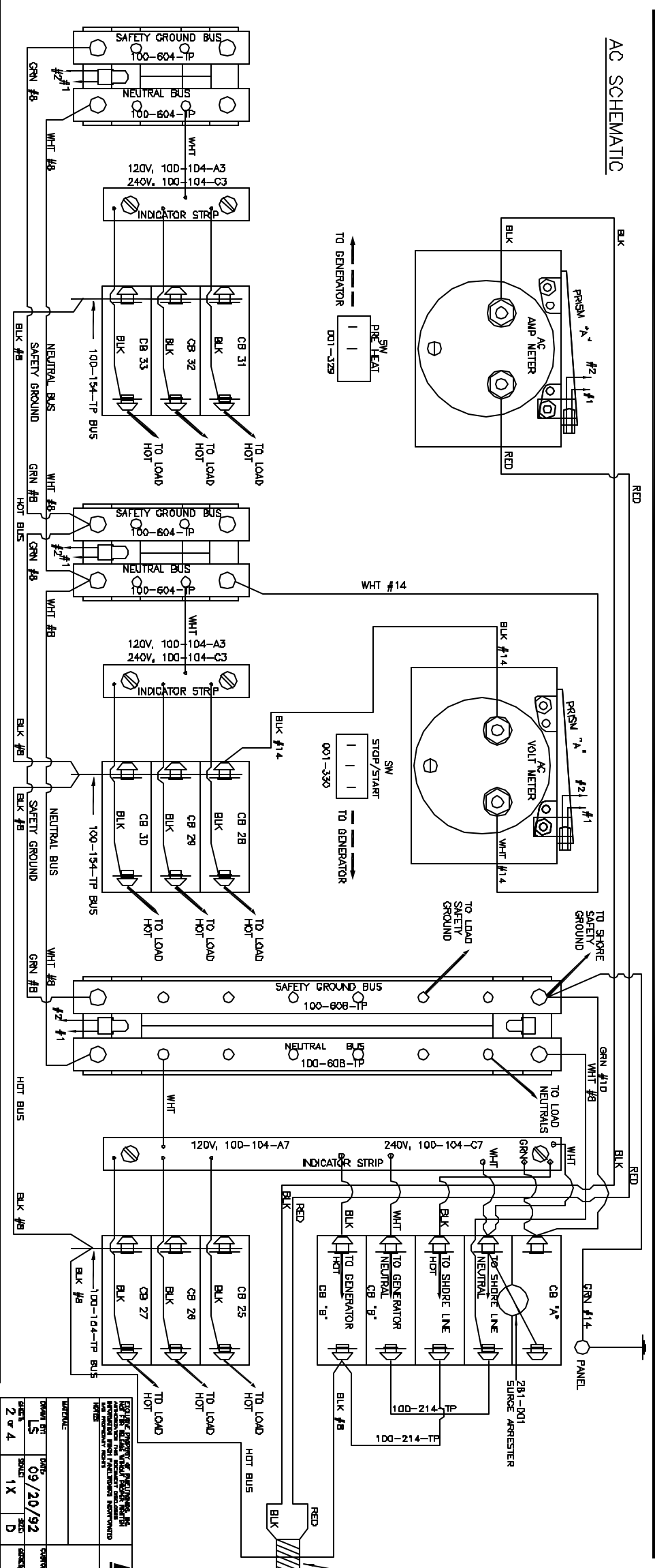
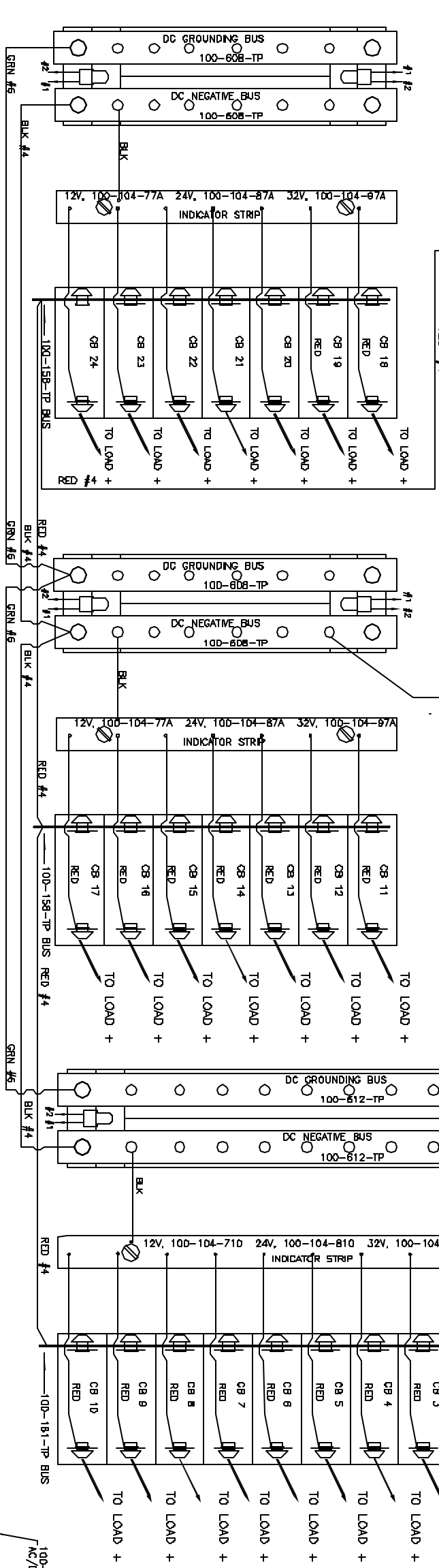
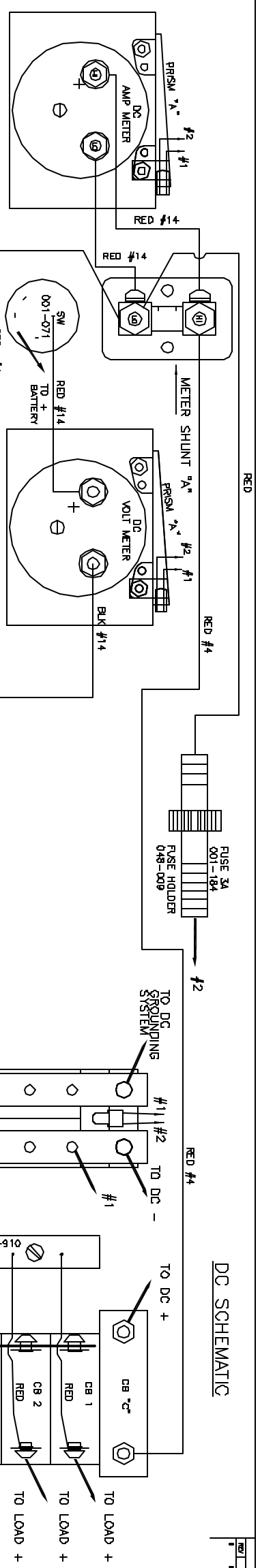
DC MAIN	
RATING	PART No
30A	208-028
60A	208-049
50A	208-024
100A	208-025

SHORE MAIN	
RATING	PART No
30A	208-087S
15A	208-086S

GENERATOR	
RATING	PART No
20A	208-083
40A	208-084
50A	208-085

CB1 - CB33	
RATING	PART No
5A	208-070S
10A	208-071S
15A	208-072S
20A	208-073S
25A	208-074S
30A	208-075S
40A	208-076S
50A	208-077S

METER LUMINATION	
RATING	PART No
12 VDC	100-249-7
24 VDC	100-249-8
32 VDC	100-249-9



THANK YOU FOR CHOOSING PANELTRONICS, INC. THIS WIRING DIAGRAM WILL AID YOU IN THE INSTALLATION OF YOUR NEW PANEL. IT SHOULD BE KEPT FOR FUTURE REFERENCE AND SERVICE TO THE ELECTRICAL CONTROL PANEL. WITH PROPER MAINTENANCE, YOU WILL ENJOY MANY YEARS OF RELIABLE OPERATION.

ALL PANELTRONICS PRODUCTS SHOULD BE USED AND INSTALLED IN ACCORDANCE WITH THE PROVISIONS OF THE NATIONAL ELECTRIC CODE, U.L. AND OTHER LOCAL, MILITARY OR INDUSTRY STANDARDS THAT ARE PERTINENT TO THE PARTICULAR END USE. IN MARINE INSTALLATIONS, ALL PANELS MUST BE INSTALLED TO MEET THE REQUIREMENTS OF U.S.C.A. 33CFR SUBPART 1, ELECTRICAL SYSTEMS, ON ALL BOATS THAT HAVE GASOLINE ENGINES FOR ELECTRICAL OR MECHANICAL POWER OR PROPULSION, EXCEPT OUTBOARD ENGINES. AMERICAN BOAT AND YACHT COUNCIL (ABYC) STANDARDS AND RECOMMENDED PRACTICES SHOULD ALSO BE FOLLOWED.

PANELTRONICS INCORPORATED IS A COMPANY COMMITTED TO TOTAL QUALITY AND CONTINUOUS PRODUCT RESEARCH, DEVELOPMENT AND IMPROVEMENT. THEREFORE ALL INFORMATION AND SPECIFICATIONS ON THIS DIAGRAM ARE SUBJECT TO CHANGE WITHOUT NOTICE.

PANELTRONICS
 Front View
 PNL, TWENTY-FOUR (PREMIER)
 DC/AC PANEL
 PANELTRONICS

DATE: 09/20/92
 DRAWN BY: CAT
 CHECKED BY: CAT

3403