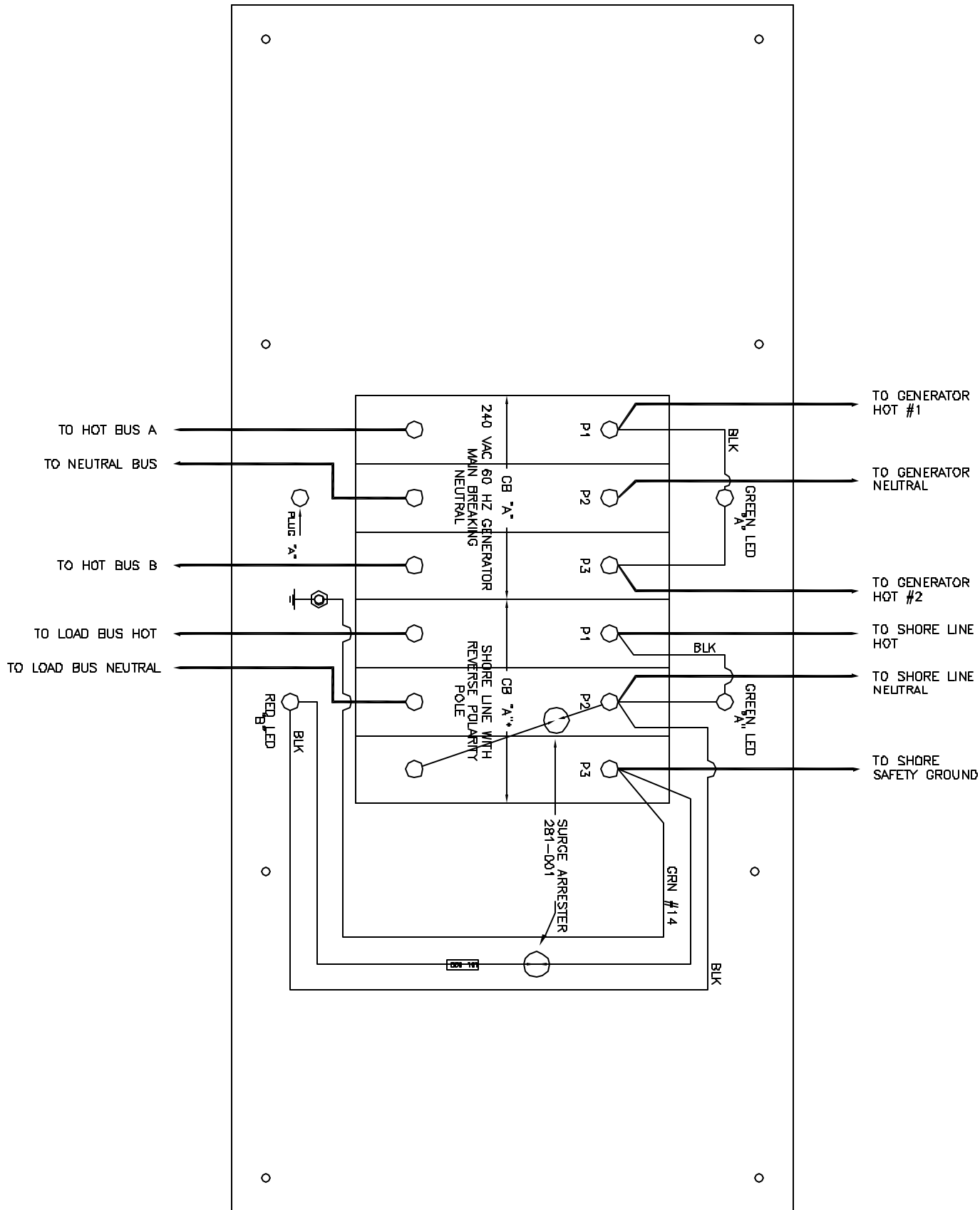


THANK YOU FOR CHOOSING PANELTRONICS, INC. THIS WIRING DIAGRAM WILL AID YOU IN THE INSTALLATION OF YOUR NEW PANEL. IT SHOULD BE KEPT FOR FUTURE REFERENCE AND SERVICE TO THE ELECTRICAL CONTROL PANEL. WITH PROPER MAINTENANCE, YOU WILL ENJOY MANY YEARS OF RELIABLE OPERATION.

ALL PANELTRONICS PRODUCTS SHOULD BE USED AND INSTALLED IN ACCORDANCE WITH THE PROVISIONS OF THE NATIONAL ELECTRIC CODE, U.I. AND OTHER LOCAL, MILITARY OR INDUSTRY STANDARDS THAT ARE PERTINENT TO THE PARTICULAR END USE. IN MARINE INSTALLATIONS, ALL PANELS MUST BE INSTALLED TO MEET THE REQUIREMENTS OF U.S.C.G. 33CFR SUBPART 1, ELECTRICAL SYSTEMS, ON ALL BOATS THAT HAVE GASOLINE ENGINES FOR ELECTRICAL OR MECHANICAL POWER OR PROPULSION, EXCEPT OUTBOARD ENGINES. AMERICAN BOAT AND YACHT COUNCIL (ABYC) STANDARDS AND RECOMMENDED PRACTICES SHOULD ALSO BE FOLLOWED.

PANELTRONICS INCORPORATED IS A COMPANY COMMITTED TO TOTAL QUALITY AND CONTINUOUS PRODUCT RESEARCH, DEVELOPMENT AND IMPROVEMENT. THEREFORE ALL INFORMATION AND SPECIFICATIONS ON THIS DIAGRAM ARE SUBJECT TO CHANGE WITHOUT NOTICE.



NOTE:
 BECAUSE OF THE FLEXIBILITY OF THIS PANEL DESIGN,
 ALL POSSIBLE CIRCUIT CONFIGURATIONS CANNOT BE SHOWN.
 THE CIRCUITS ABOVE REPRESENT TYPICAL 120 VAC, 60 HZ,
 120/240 VAC, 60 HZ, 240 VAC, 60 HZ, AND 240 VAC, 50 HZ
 CONFIGURATIONS FOR REFERENCE ONLY.
 FACTORY WIRING INCLUDES THE CONNECTION OF INDICATOR
 LIGHTS AND SURGE ARRESTERS, WHEN REQUIRED.

LED "A"		CB "A"	
RATING	PART No	RATING	PART No
120V	048-016	16A 2P	206-034
240V	048-027	30A 2P	206-043
		40A 2P	206-044
		50A 2P	206-045
		60A 2P	206-046
		80A 2P	206-047
		100A 2P	206-048
		30A 3P	206-037
		40A 3P	206-038
		50A 3P	206-039
		60A 3P	206-040
		80A 3P	206-041
		100A 3P	206-042
		16A+65V*	206-036
		30A+65V*	206-035

LED "B"		PLUG "A"	
RATING	PART No	RATING	PART No
120V	048-011	BLACK	016-001
240V	048-028	WHITE	016-019

PANELTRONICS Paneltronics, Inc.
 11800 Corporate Blvd.
 Hollywood, Florida 33018

REAR VIEW
 PNL, AC HIGH AMP (PREMIER)
 AC PANEL
 PANELTRONICS

DATE: 01/28/93
 DRAWN BY: [Name]
 CHECKED BY: [Name]
 SCALE: 1X
 SHEET: D
 CAT: [Name]
 PART NO: 4312
 QTY: 0