

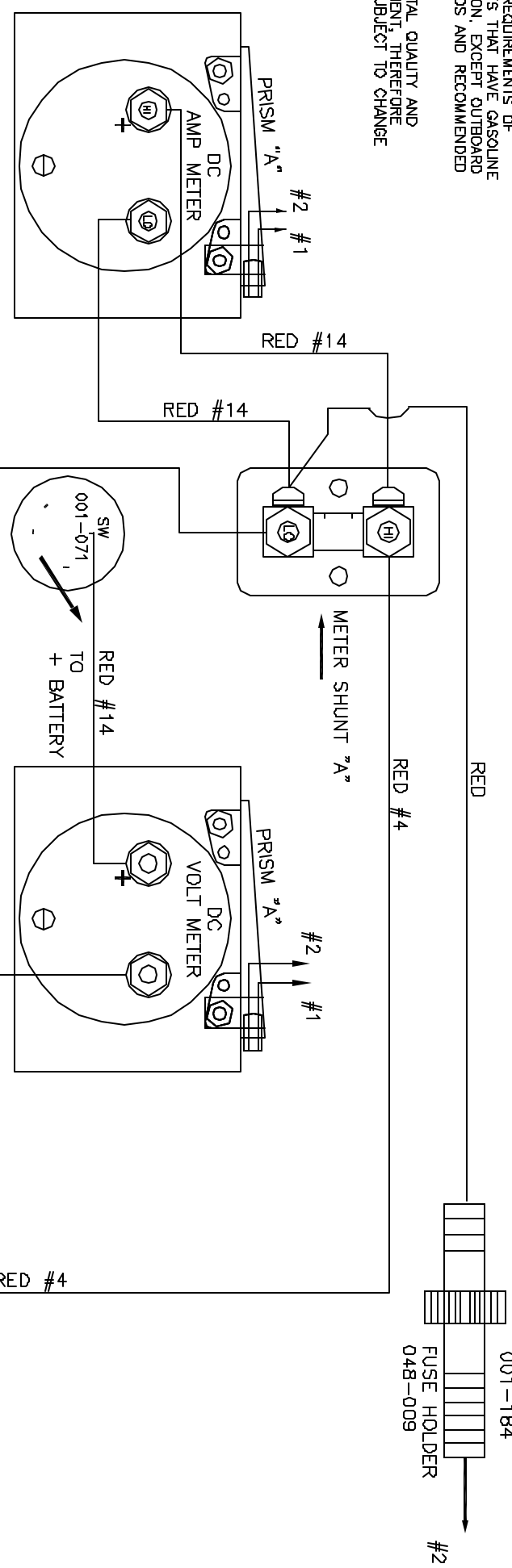
THANK YOU FOR CHOOSING PANELTRONICS, INC. THIS WIRING DIAGRAM WILL AID YOU IN THE INSTALLATION OF YOUR NEW PANEL. IT SHOULD BE KEPT FOR FUTURE REFERENCE AND SERVICE TO THE ELECTRICAL CONTROL PANEL. WITH PROPER MAINTENANCE, YOU WILL ENJOY MANY YEARS OF RELIABLE OPERATION.

ALL PANELTRONICS PRODUCTS SHOULD BE USED AND INSTALLED IN ACCORDANCE WITH THE PROVISIONS OF THE NATIONAL ELECTRIC CODE, U.L. AND OTHER LOCAL, MILITARY OR INDUSTRY STANDARDS THAT ARE PERTINENT TO THE PARTICULAR END USE. IN MARINE INSTALLATIONS, ALL PANELS MUST BE INSTALLED TO MEET THE REQUIREMENTS OF U.S.C.G. 33CFR SUBPART 1. ELECTRICAL SYSTEMS ON ALL BOATS THAT HAVE GASOLINE ENGINES FOR ELECTRICAL OR MECHANICAL POWER OR PROPULSION, EXCEPT OUTBOARD ENGINES, AMERICAN BOAT AND YACHT COUNCIL (ABYC) STANDARDS AND RECOMMENDED PRACTICES SHOULD ALSO BE FOLLOWED.

PANELTRONICS INCORPORATED IS A COMPANY COMMITTED TO TOTAL QUALITY AND CONTINUOUS PRODUCT RESEARCH, DEVELOPMENT AND IMPROVEMENT, THEREFORE ALL INFORMATION AND SPECIFICATIONS ON THIS DIAGRAM ARE SUBJECT TO CHANGE WITHOUT NOTICE.

REVISIONS

REV	DESCRIPTION	BY	DATE
0	INITIAL RELEASE AND THE PLATED HARDWARE UPDATE		200410 10 1/27/04



DC AMP METER	
RATING	PART NO
50 DCA*	289-002
30 DCA	289-018
80 DCA	289-005
100 DCA	289-014
DIGITAL	570-002
* INTERNAL SHUNT	

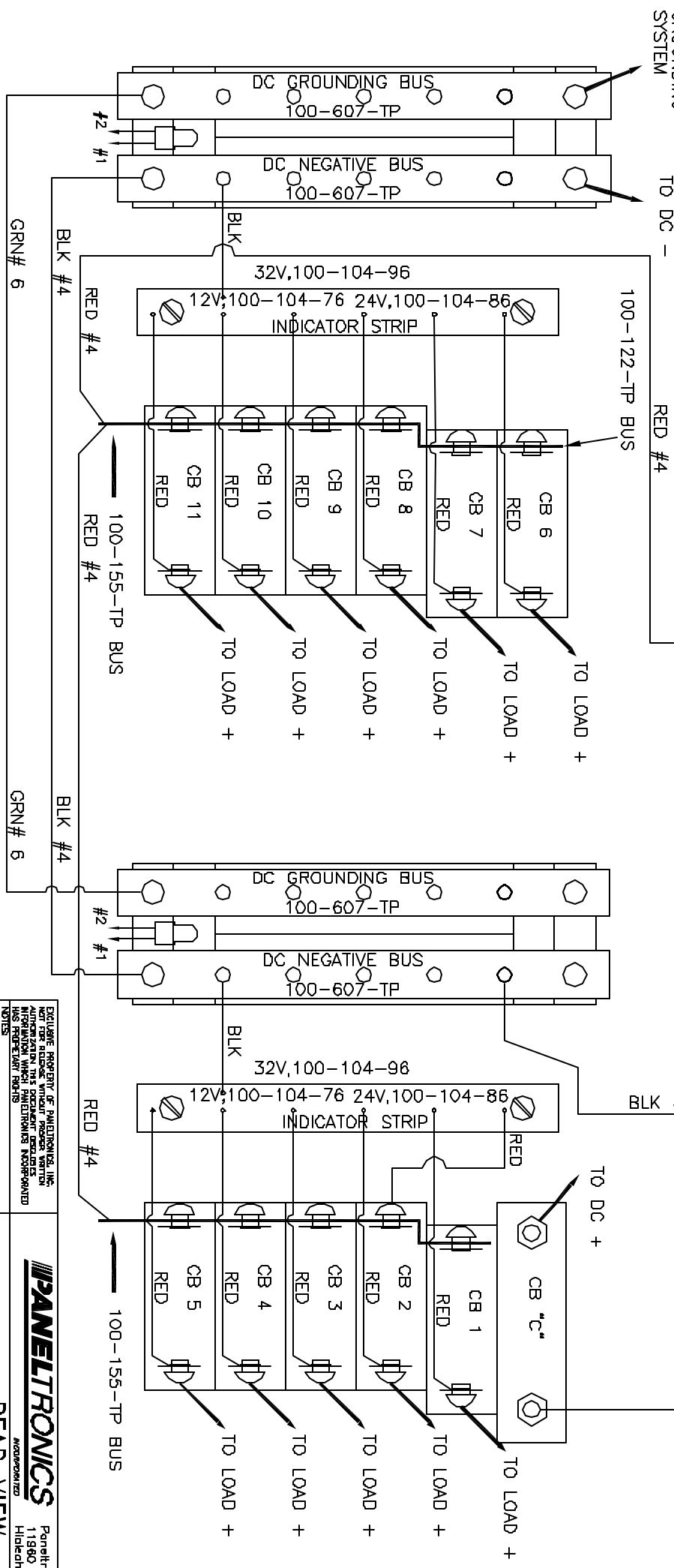
DC VOLT METER	
RATING	PART NO
8-16 VDC	289-001
16-32 VDC	289-017
0-50 VDC	289-025
DIGITAL	570-001

DC MAIN CB "C"	
RATING	PART NO
50A	206-028
60A	206-049
80A	206-024
100A	206-025

METER SHUNT "A"	
RATING	PART NO
50/50 MV	289-015
80/30 MV	289-010
100/50 MV	289-013

CB1 - CB11	
RATING	PART NO
5A	206-070S
10A	206-071S
15A	206-072S
20A	206-073S
25A	206-074S
30A	206-075S
40A	206-076S
50A	206-077S

BACKLIGHT ASSY "A"	
RATING	PART NO
12 VDC	100-243-7(R)
24 VDC	100-243-8(R)
32 VDC	100-243-9(R)



EXCLUSIVE PROPERTY OF PANELTRONICS, INC. AUTHORIZATION TO REPRODUCE THIS DOCUMENT GRANTED BY PANELTRONICS INCORPORATED FOR THE EXCLUSIVE RIGHTS NOTED.

PANELTRONICS Paneltronics, Inc.
11980 N.W. 87th Court
Hialeah Gardens, FL 33018

REAR VIEW
PNL, DC ELEVEN (PREMIER)
DC PANEL WITH MAIN

PANELTRONICS
DRAWING # 5203

DRAWING NO.	DATE	DESIGNER	CHECKED	SCALE	SHEET	TOTAL SHEETS
AA	03/16/98			1X	3	3

CAT 5203