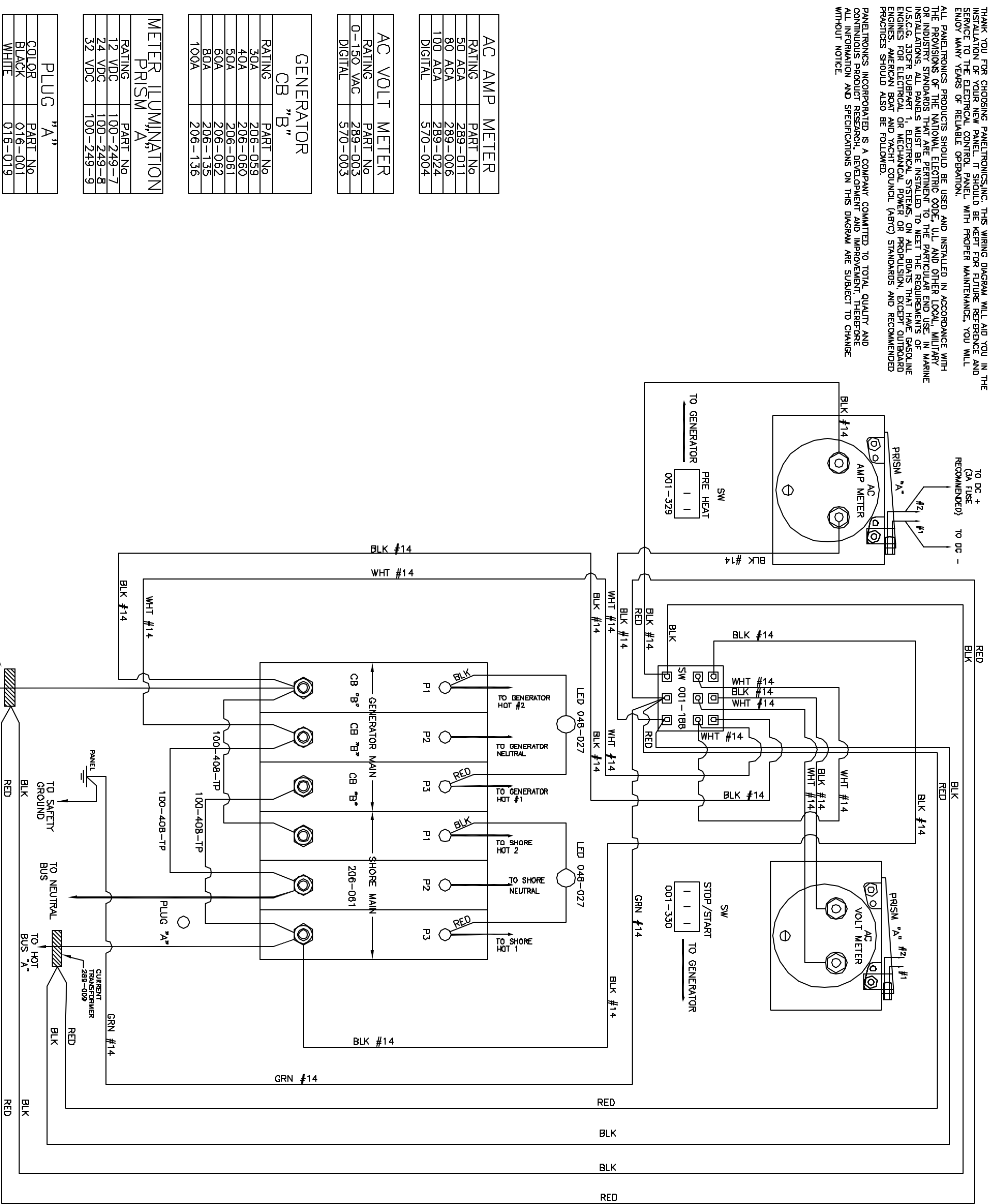


THANK YOU FOR CHOOSING PANELTRONICS, INC. THIS WIRING DIAGRAM WILL AID YOU IN THE INSTALLATION OF YOUR NEW PANEL. IT SHOULD BE KEPT FOR FUTURE REFERENCE AND SERVICE TO THE ELECTRICAL CONTROL PANEL WITH PROPER MAINTENANCE. YOU WILL ENJOY MANY YEARS OF RELIABLE OPERATION.

ALL PANELTRONICS PRODUCTS SHOULD BE USED AND INSTALLED IN ACCORDANCE WITH THE PROVISIONS OF THE NATIONAL ELECTRIC CODE, ULL AND OTHER LOCAL MARITIME OR INDUSTRIAL STANDARDS THAT ARE PERTINENT TO THE PARTICULAR END USE. IN MARINE INSTALLATIONS, ALL PANELS MUST BE INSTALLED TO MEET THE REQUIREMENTS OF U.S.C.G. YACHT SUBPART 1, ELECTRICAL SYSTEMS, ON ALL BOATS THAT HAVE GASOLINE ENGINES FOR ELECTRICAL OR MECHANICAL POWER, OR PROPULSION, EXCEPT QUINCYARD ENGINES, AMERICAN BOAT AND YACHT COUNCIL (ABYC) STANDARDS AND RECOMMENDED PRACTICES SHOULD ALSO BE FOLLOWED.

PANELTRONICS INCORPORATED IS A COMPANY COMMITTED TO TOTAL QUALITY AND CONTINUOUS PRODUCT RESEARCH, DEVELOPMENT AND IMPROVEMENT. THEREFORE ALL INFORMATION AND SPECIFICATIONS ON THIS DIAGRAM ARE SUBJECT TO CHANGE WITHOUT NOTICE.



AC AMP METER	
RATING	PART No
50 ACA	289-011
80 ACA	289-006
100 ACA	289-024
DIGITAL	570-004

AC VOLT METER	
RATING	PART No
0-150 VAC	289-003
DIGITAL	570-003

GENERATOR CB "B"	
RATING	PART No
30A	206-059
40A	206-060
50A	206-061
60A	206-062
80A	206-135
100A	206-136

METER ILLUMINATION PRISM "A"	
RATING	PART No
12 VDC	100-249-7
24 VDC	100-249-8
32 VDC	100-249-9

PLUG "A"	
COLOR	PART No
BLACK	016-001
WHITE	016-019

PANELTRONICS Paneltronics, Inc. 17180 N.W. 27th Ave. Miami Gardens, FL 33058

REAR VIEW
PNL, AC SHORE (PREMIER)
AC PANEL

DATE: 06/31/98
DRAWN BY: AA
CHECKED BY: 1X
APPROVED BY: D

REVISIONS: 2 of 4

CUSTOMER: CAT

5304