

THANK YOU FOR CHOOSING PANELTRONICS. THIS WIRING DIAGRAM WILL AID YOU IN THE INSTALLATION OF YOUR NEW PANEL. IT SHOULD BE KEPT FOR FUTURE REFERENCE AND SERVICE TO THE ELECTRICAL CONTROL PANEL. WITH PROPER MAINTENANCE, YOU WILL ENJOY MANY YEARS OF RELIABLE OPERATION.

ALL PANELTRONICS PRODUCTS SHOULD BE USED AND INSTALLED IN ACCORDANCE WITH THE PROVISIONS OF THE NATIONAL ELECTRIC CODE, U.L. AND OTHER LOCAL, MILITARY OR INDUSTRY STANDARDS THAT ARE PERTINENT TO THE PARTICULAR END USE. IN MARINE INSTALLATIONS, ALL PANELS MUST BE INSTALLED TO MEET THE REQUIREMENTS OF U.S.C.G. 33CFR SUBPART 1, ELECTRICAL SYSTEMS, ON ALL BOATS THAT HAVE GASOLINE ENGINES FOR ELECTRICAL OR MECHANICAL POWER OR PROPULSION, EXCEPT OUTBOARD ENGINES, AMERICAN BOAT AND YACHT COUNCIL (ABYC) STANDARDS AND RECOMMENDED PRACTICES SHOULD ALSO BE FOLLOWED.

PANELTRONICS INCORPORATED IS A COMPANY COMMITTED TO TOTAL QUALITY AND CONTINUOUS PRODUCT RESEARCH, DEVELOPMENT AND IMPROVEMENT. THEREFORE ALL INFORMATION AND SPECIFICATIONS ON THIS DIAGRAM ARE SUBJECT TO CHANGE WITHOUT NOTICE.

AC AMP METER	
RATING	PART No
50 ACA	289-071
80 ACA	289-006
100 ACA	289-024
DIGITAL	570-004

AC VOLT METER	
RATING	PART No
0-150 VAC	289-003
0-300 VAC	289-007
DIGITAL	570-003

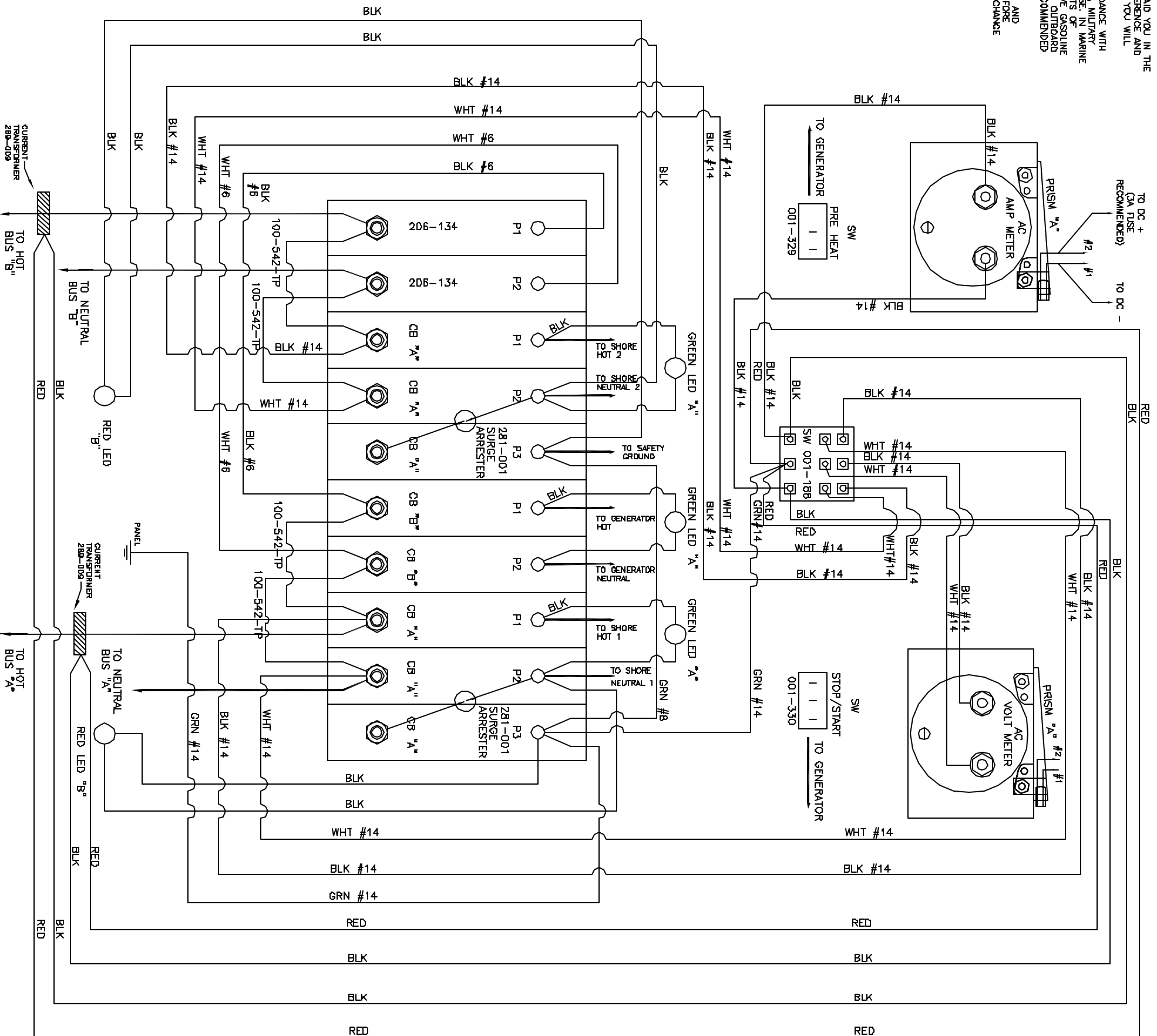
SHORE MAIN CB "A"	
RATING	PART No
15A	206-127
30A	206-126
50A	206-128

GENERATOR CB "B"	
RATING	PART No
30A	206-129
40A	206-130
50A	206-131
60A	206-132
80A	206-133
100A	206-134

METER ILLUMINATION PRISM "A"	
RATING	PART No
12 VDC	100-249-7
24 VDC	100-249-8
32 VDC	100-249-9

LED "A"	
RATING	PART No
12D VAC	048-016
24D VAC	048-027

LED "B"	
RATING	PART No
12D VAC	048-011
24D VAC	048-028



PANELTRONICS PREMIER DIV. INC. 11850 W. BAYVIEW BLVD. MIAMI, FL 33148	
ORDER PART NO. PNL ORDER QUANTITY 1X ORDER DATE 10/30/03	COMMENTS PNL, AC DUAL SHORE (PREMIER) AC PANEL DRAWING NO. 5305