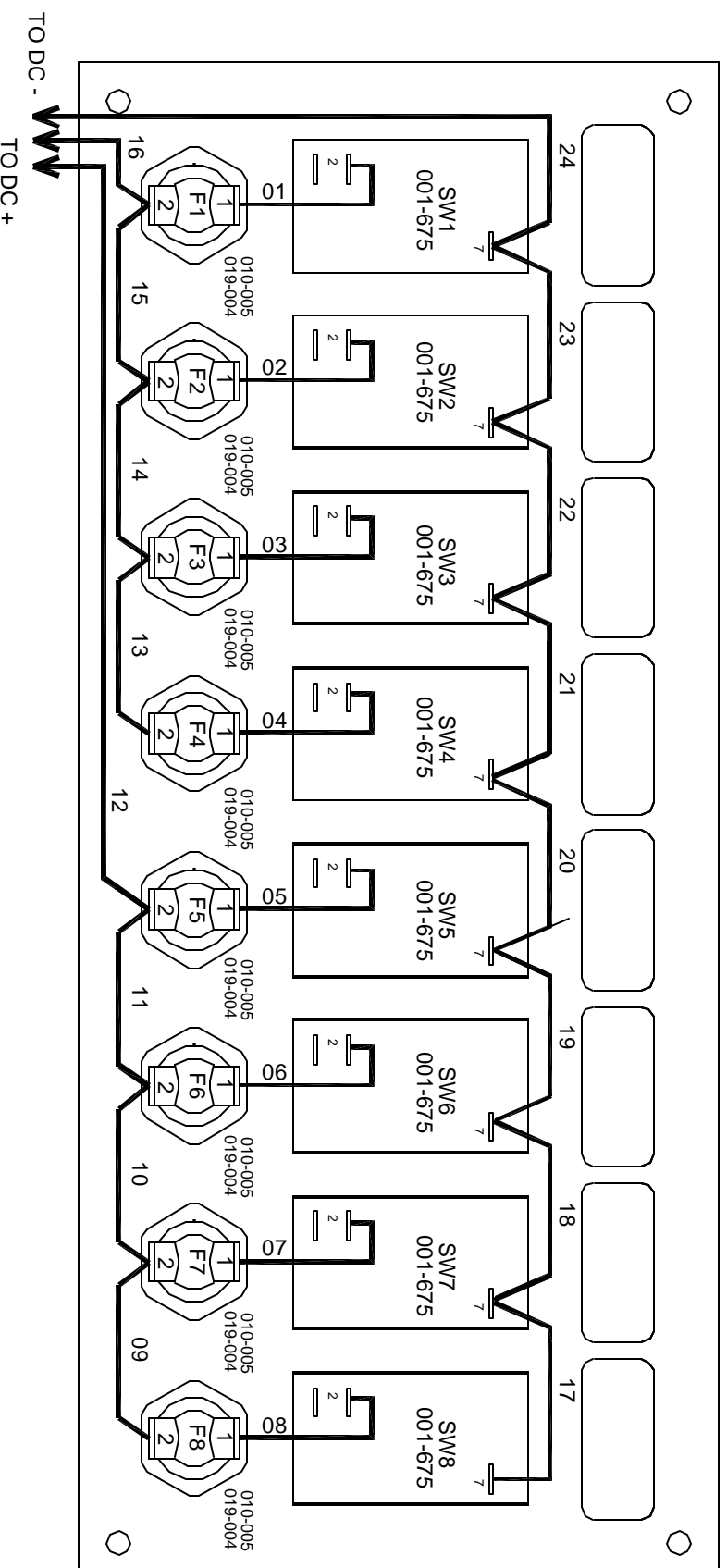


R E V I S I O N S

REV	DESCRIPTION	ECN	BY	DATE
1	ADDED SEAL TO SWITCHES	2004234	TG	10/26/04
2	Removed wire leg from panel and created as new P/N	2006182	KP	6/23/06



EXCLUSIVE PROPERTY OF PANELTRONICS, INC.
 NOT FOR RELEASE WITHOUT PROPER WRITTEN
 AUTHORIZATION THIS DOCUMENT DISCLOSES
 INFORMATION WHICH PANELTRONICS INCORPORATED
 HAS PROPRIETARY RIGHTS

PANELTRONICS Incorporated
 Paneltronics, Inc.
 11960 N.W. 87th Court
 Hialeah Gardens, FL 33018

NOTES:
 LOW PROFILE FUSE HOLDER
 WIRES: 220-087
 MATERIAL:

REAR VIEW
 PNL, DC EIGHT ROCKER SW PNL

DRAWN BY:	DATE:	CUSTOMER:
TG	11/16/00	PANELTRONICS
SHEET:	SCALE:	SERIES/MODEL:
2 OF 2	1:1	CAT
	SIZE:	DRAWING #:
	A	9960013
		REV:
		2