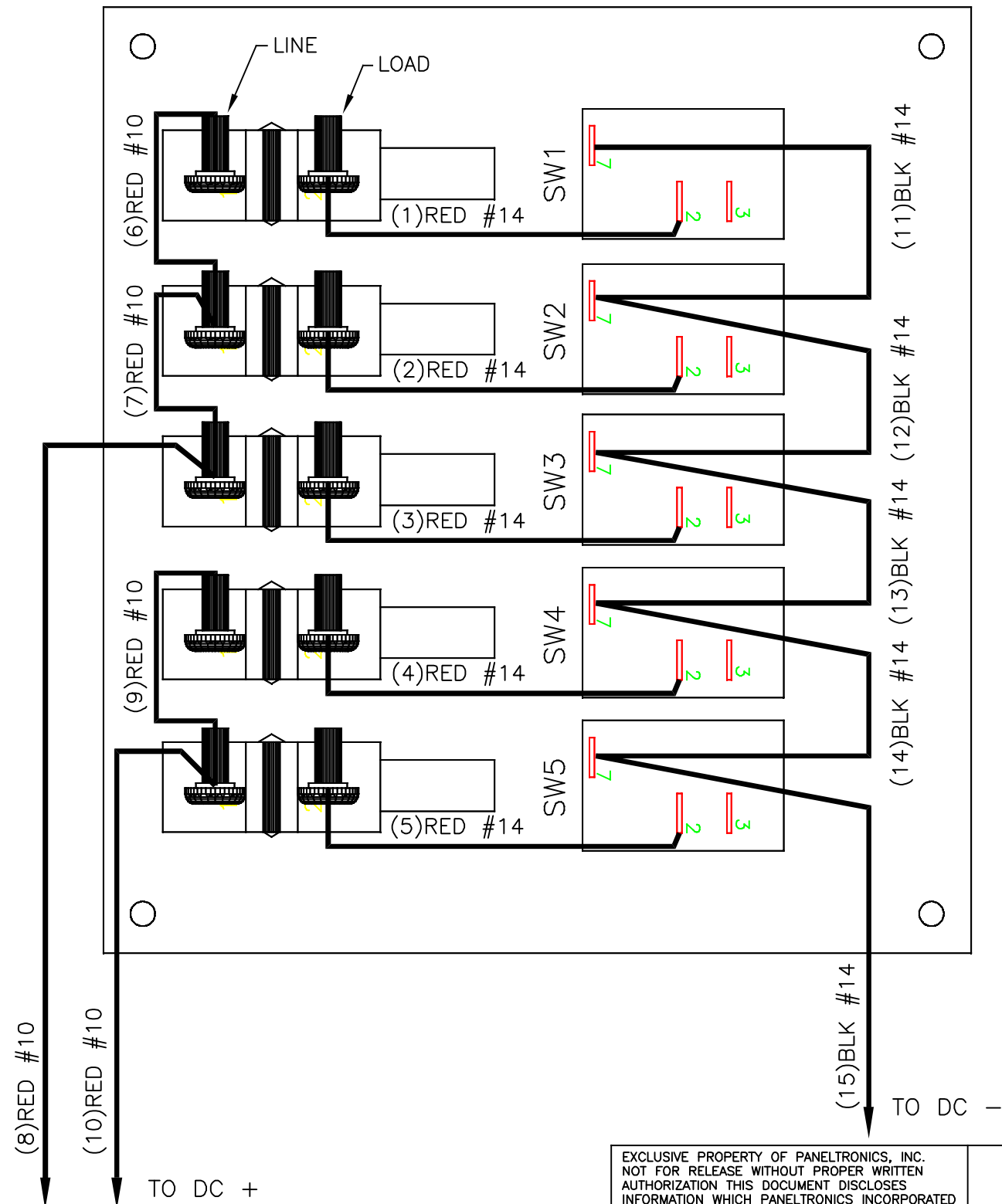


REVISIONS

REV	DESCRIPTION	ECN	BY	DATE
1	REMOVED WIRE LEG FROM PANEL	2006096	Jz	4/10/06
2	ROTATED BKRS 180 DEGREES AND INDICATED THE LOCATION OF LINE/LOAD	14597	Jz	1/25/11



USE THIS DRAWING WHEN 9960018B IS NEEDED

EXCLUSIVE PROPERTY OF PANELTRONICS, INC.
NOT FOR RELEASE WITHOUT PROPER WRITTEN
AUTHORIZATION THIS DOCUMENT DISCLOSES
INFORMATION WHICH PANELTRONICS INCORPORATED
HAS PROPRIETARY RIGHTS

NOTES:
WIRE 220-301

MATERIAL:

DRAWN BY: Jz
DATE: 04/10/06

SHEET: 2 OF 2
SCALE: 1:1
SIZE: A



Paneltronics, Inc.
11960 N.W. 87th Court
Hialeah Gardens, FL 33018

REAR VIEW
PNL, SWITCH ROCK 5 POSITIONS

CUSTOMER: PANELTRONICS

SERIES/MODEL: CAT
DRAWING #: 9960018
REV: 2