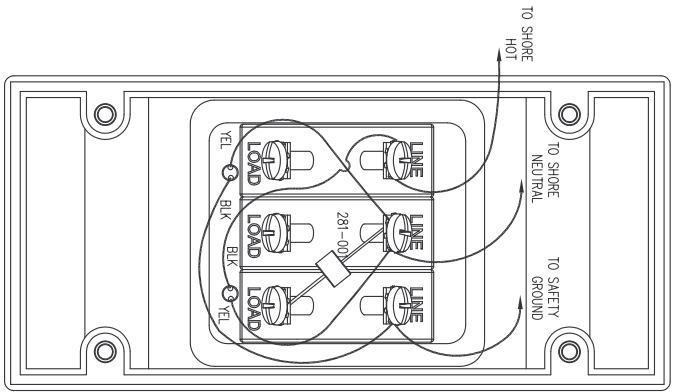
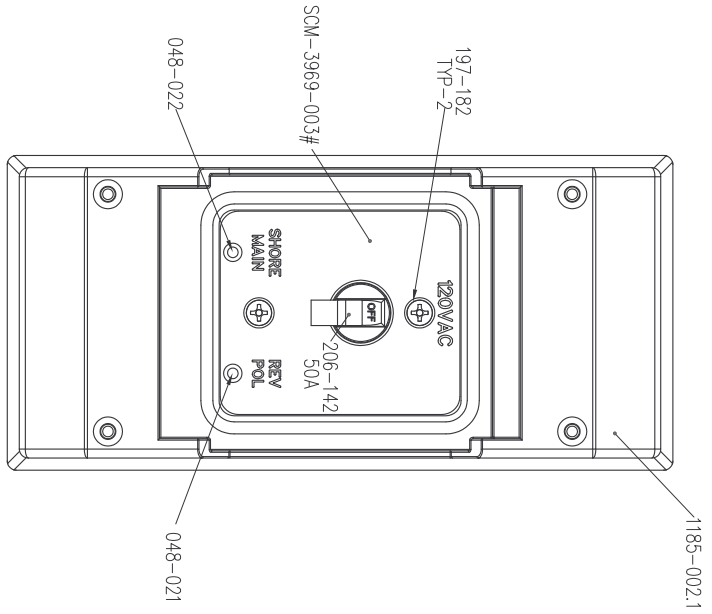


REVISIONS					
ZONE	REV.	DESCRIPTION	BY	DATE	ESR / ERM
A	1	PROTOTYPE INITIAL RELEASE	J. DAZ	01/20/2010	14150



ITEM NO.	PART NUMBER	DESCRIPTION	QTY.
1	048-021	LED, RED, 120VAC, 5/32" DIAMETER	1
2	048-022	LED, GREEN, 120VAC, 5/32" DIAMETER	1
3	1185-002.1	ENCLOSURE 2/3 POLE RCD - P/M MODIFIED	1
4	197-182	SCREW, #6-32 x 1/4 HTP MS SS BLK	2
5	197-188	SCREW, #10-32 x 3/8" PHC SS W/ETS WASHER	6
6	206-142	CB, 3P 50A/65VAC RND WHT MAG	1
7	281-001	SURGE ARRESTER 75VDC	1
8	SCM-3969-003#	PNL, 120VAC SHORE MAIN REV POL	1

**IPANELTRONICS**  
MADE IN FLORIDA

**PROPERTY AND CONFIDENTIALITY:**  
THE INFORMATION CONTAINED IN THIS DRAWING IS THE SOLE PROPERTY OF IPANELTRONICS. IT IS TO BE USED ONLY IN CONNECTION WITH THE PROJECT AND FOR THE PURPOSES SPECIFIED THEREIN. NO PART OF THIS DRAWING IS TO BE REPRODUCED OR TRANSMITTED IN ANY FORM OR BY ANY MEANS, ELECTRONIC OR MECHANICAL, INCLUDING PHOTOCOPYING, RECORDING, OR BY ANY INFORMATION STORAGE AND RETRIEVAL SYSTEM, WITHOUT THE WRITTEN PERMISSION OF IPANELTRONICS.

UNLESS OTHERWISE SPECIFIED, DIMENSIONS ARE IN INCHES	DESIGNED	DATE	10/21/09
TOLERANCES ±	CHECKED		
FRACTIONS ±			
DECIMALS ±			
ANGLES ±			
HOLE LOCATIONS ±			
FINISH			
DO NOT SCALE DRAWING			

SCALE: 1:1

SHEET 1