

R E V I S I O N S			
REV	DESCRIPTION	ECN	BY DATE

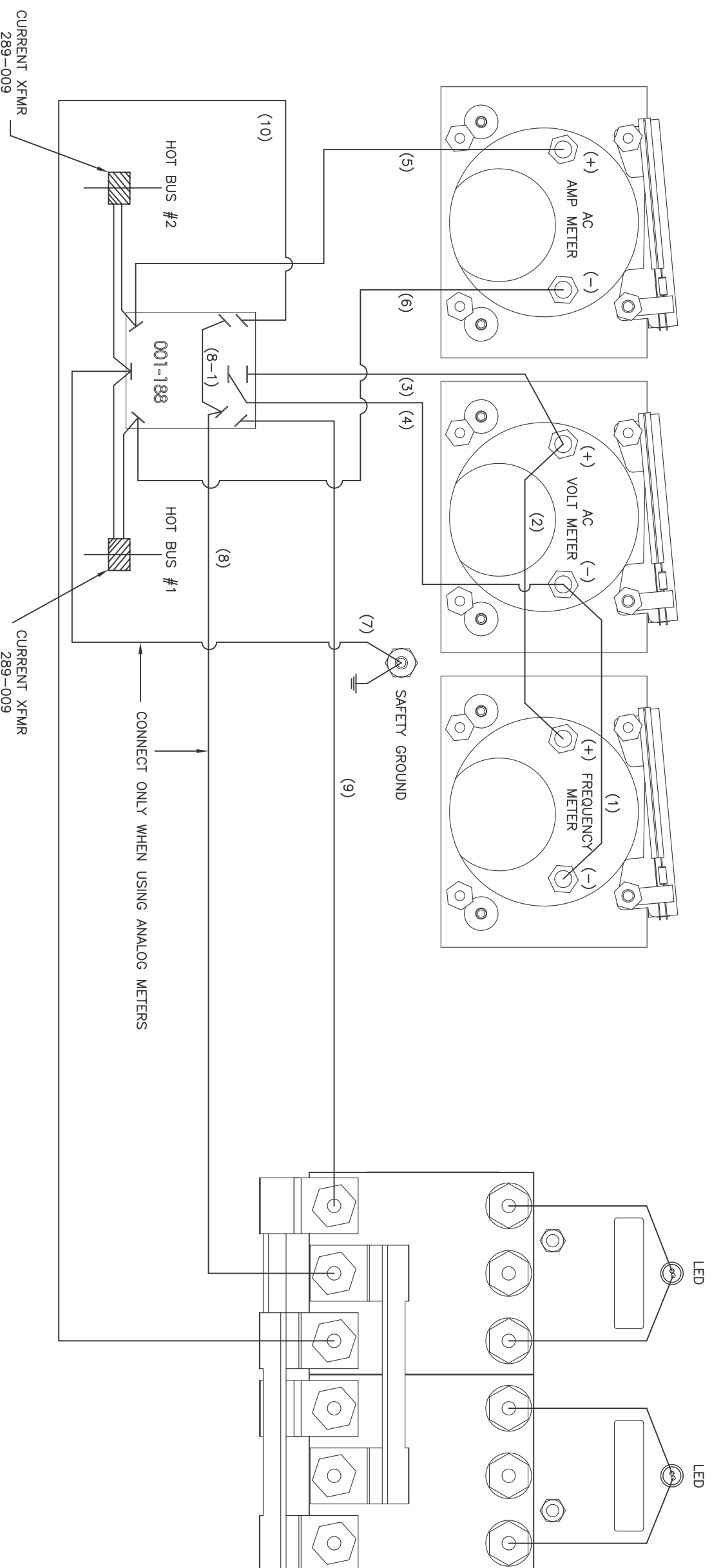
BREAKERS	
RATING	PART NO
50 AMP	206-061
80 AMP	206-135
100 AMP	206-136

LED	
RATING	PART NO
120 VAC	048-016
240 VAC	048-027

AC DIGITAL METERS	
FUNCTION	PART NO
FREQUENCY	570-005
CURRENT	570-004
VOLTAGE	570-003

AC ANALOG METERS	
FUNCTION	PART NO
FREQUENCY	289-027, 289-029, 289-034
CURRENT	289-006, 289-011, 289-024
VOLTAGE	289-003, 289-007

METER ILLUMINATION FOR ANALOG METER ONLY PRISM "A"	
RATING	PART NO
12 VDC	100-249-7
24 VDC	100-249-8
32 VDC	100-249-9



THANK YOU FOR CHOOSING PANELTRONICS, INC. THIS WIRING DIAGRAM WILL AID YOU IN THE INSTALLATION OF YOUR NEW PANEL. IT SHOULD BE KEPT FOR FUTURE REFERENCE AND SERVICE TO THE ELECTRICAL CONTROL PANEL. WITH PROPER MAINTENANCE, YOU WILL ENJOY MANY YEARS OF RELIABLE OPERATION.

ALL PANELTRONICS PRODUCTS SHOULD BE USED AND INSTALLED IN ACCORDANCE WITH THE PROVISIONS OF THE NATIONAL ELECTRIC CODE, U.L. AND OTHER LOCAL, MILITARY OR INDUSTRY STANDARDS THAT ARE PERTINENT TO THE PARTICULAR END USE. IN MARINE INSTALLATIONS, ALL PANELS MUST BE INSTALLED TO MEET THE REQUIREMENTS OF U.S.C.G. 33CFR SUBPART 1, ELECTRICAL SYSTEMS, ON ALL BOATS THAT HAVE GASOLINE ENGINES. FOR ELECTRICAL OR MECHANICAL POWER OR PROPULSION, EXCEPT OUTBOARD ENGINES, AMERICAN BOAT AND YACHT COUNCIL (ABYC) STANDARDS AND RECOMMENDED PRACTICES SHOULD ALSO BE FOLLOWED.

PANELTRONICS INCORPORATED IS A COMPANY COMMITTED TO TOTAL QUALITY AND CONTINUOUS PRODUCT RESEARCH, DEVELOPMENT AND IMPROVEMENT, THEREFORE ALL INFORMATION AND SPECIFICATIONS ON THIS DIAGRAM ARE SUBJECT TO CHANGE WITHOUT NOTICE.

EXCLUSIVE PROPERTY OF PANELTRONICS, INC. NOT FOR RELEASE WITHOUT PROPER WRITTEN AUTHORIZATION. THIS DOCUMENT DISCLOSES INFORMATION WHICH PANELTRONICS INCORPORATED HAS PROPRIETARY RIGHTS		 Paneltronics, Inc. 11960 N.W. 87th Court Hialeah Gardens, FL 33018	
NOTES:		WIRING PNL, AC DUAL SOURCE MAIN AND METER	
MATERIAL:		CUSTOMER: PANELTRONICS	
DRAWN BY: JZ	DATE: 06/24/09	DRAWING #: 6302	
SHEET: 2 OF 3	SCALE: N/A	SERIES/MODEL: 6000	REV: A