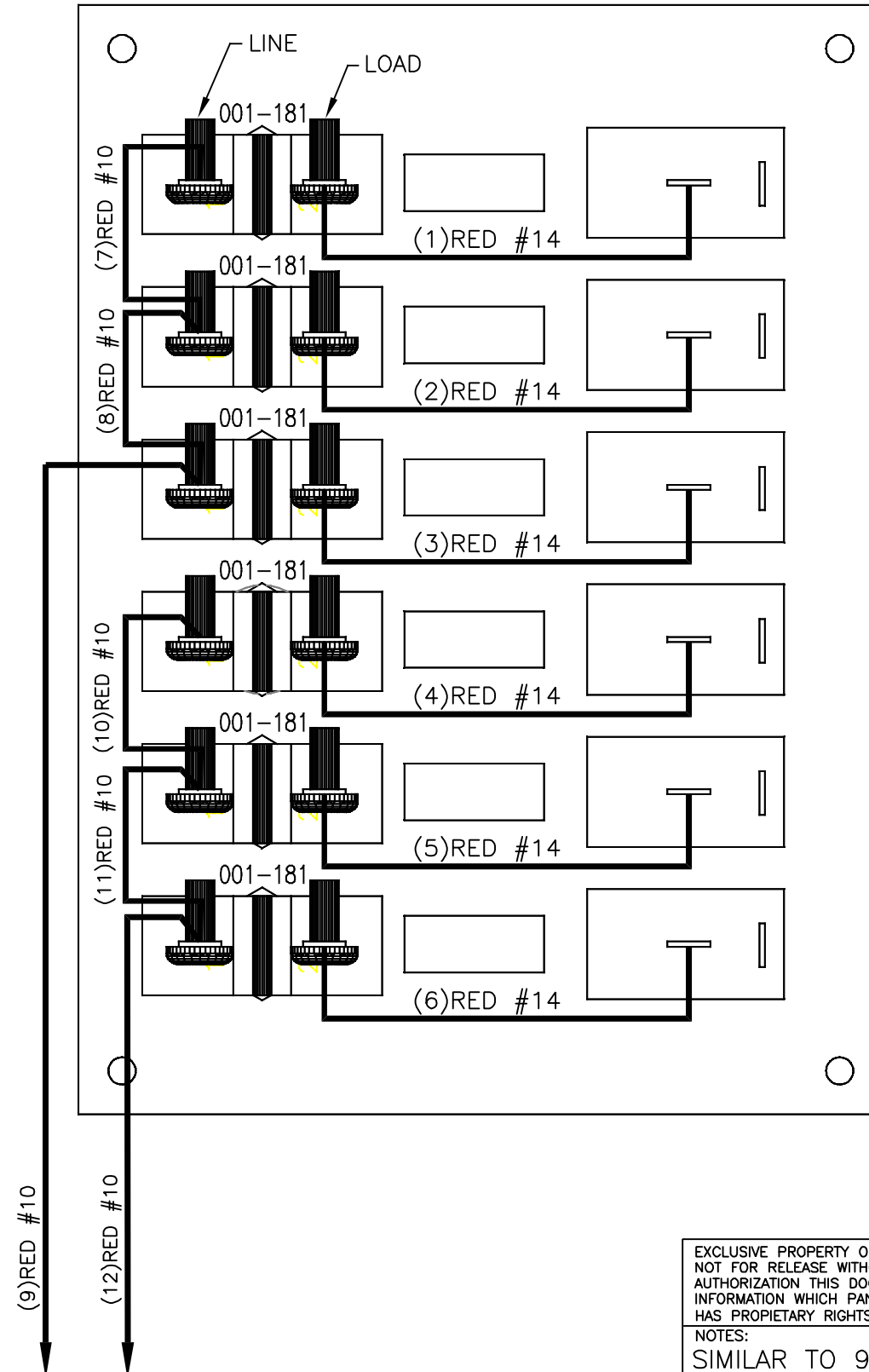


REVISIONS

REV	DESCRIPTION	ECN	BY	DATE
1	REMOVED WIRE LEG FROM PANEL AND CREATED AS NEW P/N	2005244	KP	10/19/05
2	ROTATED BKRS 180 DEGREES AND INDICATED THE LOCATION OF LINE AND LOAD	14597	Jz	1/25/11



EXCLUSIVE PROPERTY OF PANELTRONICS, INC.
 NOT FOR RELEASE WITHOUT PROPER WRITTEN
 AUTHORIZATION THIS DOCUMENT DISCLOSES
 INFORMATION WHICH PANELTRONICS INCORPORATED
 HAS PROPRIETARY RIGHTS

NOTES:
 SIMILAR TO 9960002
 WIRES: 220-257
 MATERIAL:

DRAWN BY: EA
 DATE: 03/03/04

SHEET: 2 OF 2
 SCALE: 1:1
 SIZE: A



Paneltronics, Inc.
 11960 N.W. 87th Court
 Hialeah Gardens, FL 33018

REAR VIEW
 SWITCH PANEL 6 POSITIONS
 ASSEMBLY

CUSTOMER: PANELTRONICS

SERIES/MODEL: DRAWING #: 9960016
 REV: 2