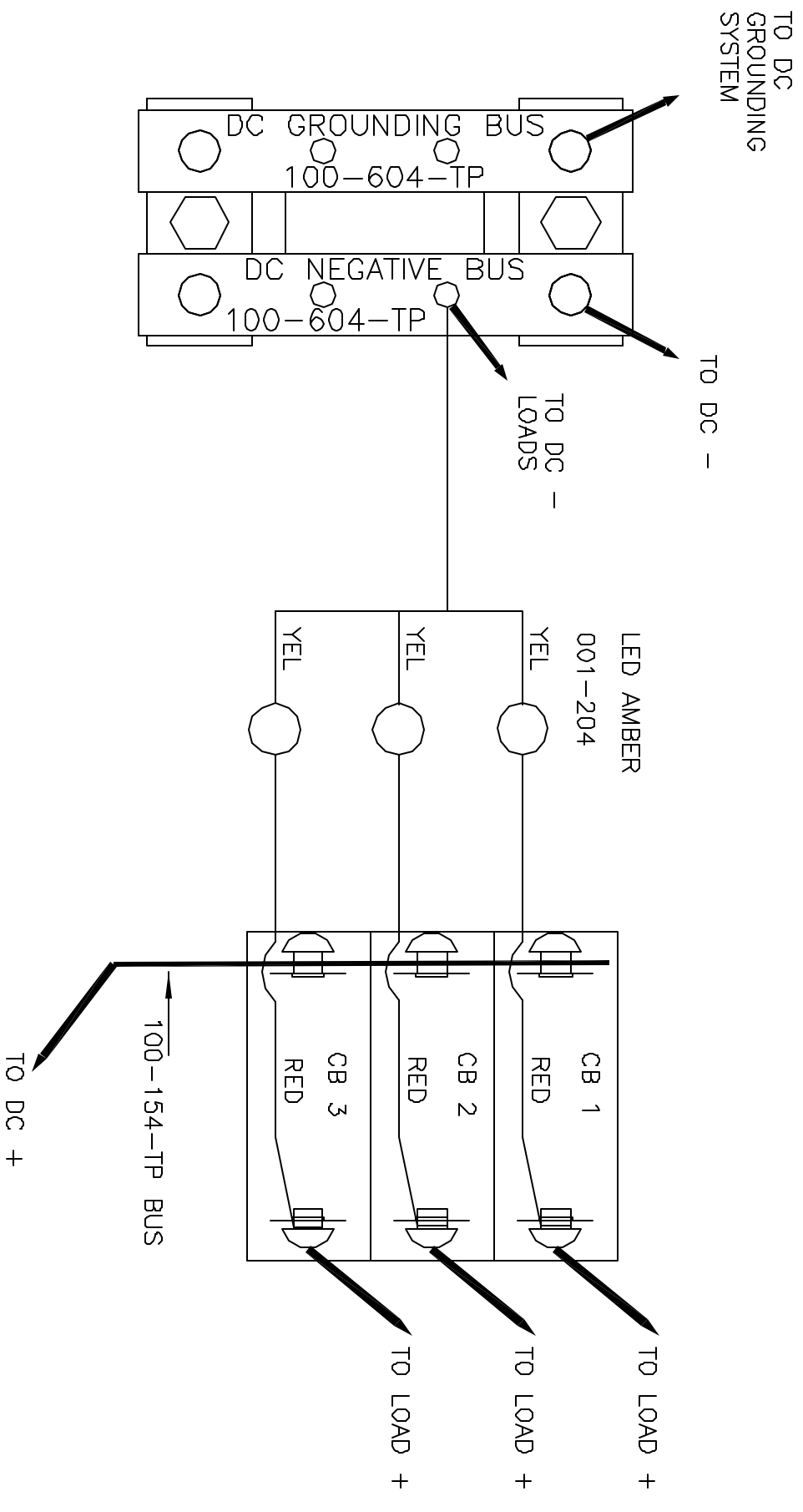


REVISIONS

REV	DESCRIPTION	ECN	BY	DATE
1	CHANGED FROM BRASS TO TIN PLATED PARTS	2004013	GR	1/15/04

CB1 - CB3	
RATING	PART NO
5A	206-070S
10A	206-071S
15A	206-072S
20A	206-073S
25A	206-074S
30A	206-075S
40A	206-076S
50A	206-077S



EXCLUSIVE PROPERTY OF PANELTRONICS, INC.
 NOT FOR RELEASE WITHOUT PROPER WRITTEN
 AUTHORIZATION. THIS DOCUMENT DISCLOSES
 INFORMATION WHICH PANELTRONICS INCORPORATED
 HAS PROPRIETARY RIGHTS



Paneltronics, Inc.
 11960 N.W. 87th Court
 Hialeah Gardens, FL 33018

REAR VIEW

DC THREE BRANCH CIRCUIT BREAKER
 PANEL WITH INDICATOR LIGHTS

Drawn By:	A.A.	Date:	04/25/95
Revised By:	MG	Date:	04/25/95
Series/Model:	STD	Item:	CBPML

Sheet:	1 of 1	Scale:	1:1	Size:	B	DWG/Part #:	9972207	Rev:	1
--------	--------	--------	-----	-------	---	-------------	---------	------	---