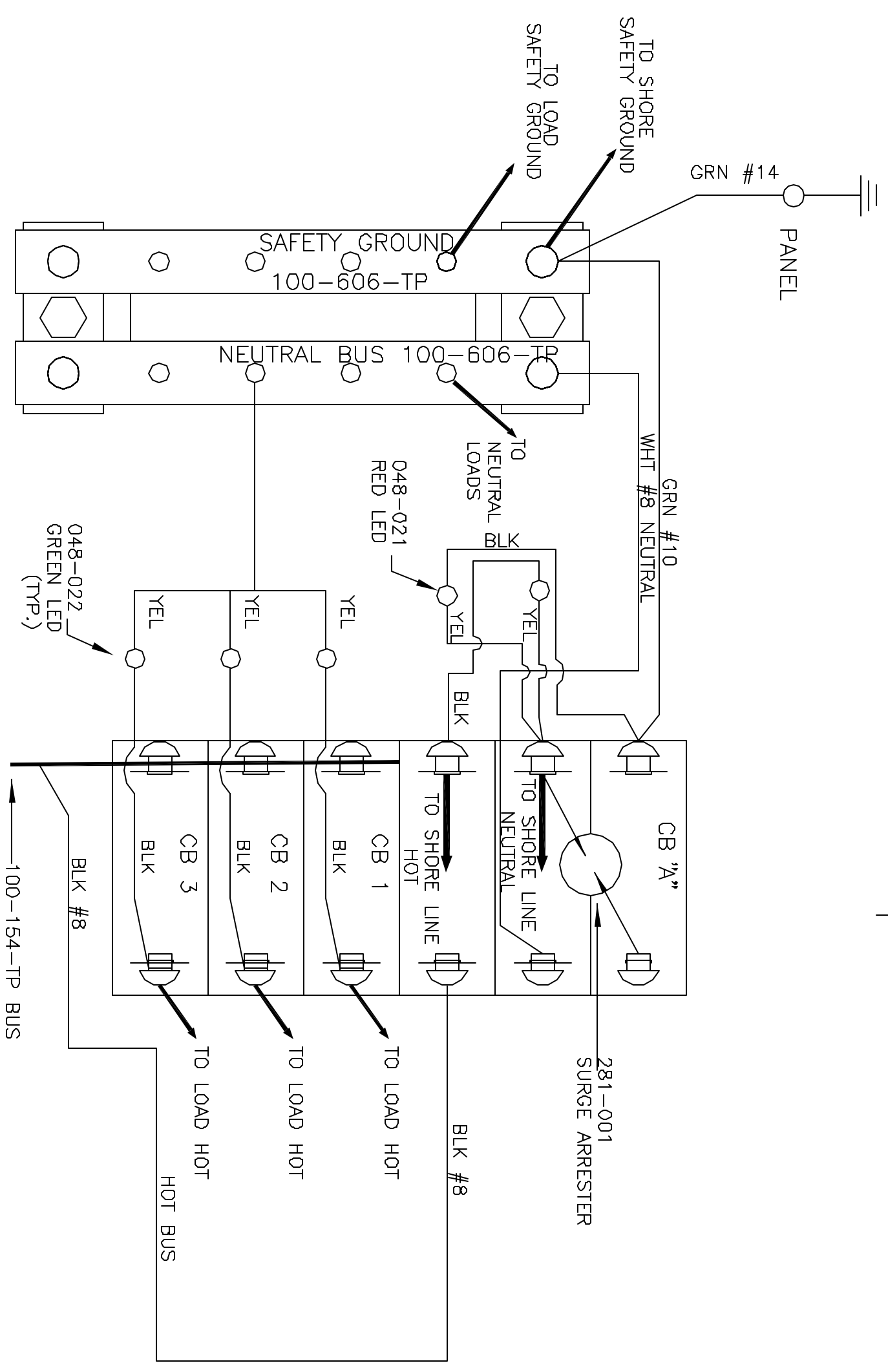


REV	DESCRIPTION	ECN	BY	DATE
0	CHANGED FROM BRASS TO TIN PLATED PARTS	2004013	GR	1/19/04

REVISIONS

SHORE MAIN CB "A"	
RATING	PART NO
30A	206-087S

CB1 - CB3	
RATING	PART NO
5A	206-070S
10A	206-071S
15A	206-072S
20A	206-073S
25A	206-074S
30A	206-075S
40A	206-076S
50A	206-077S



EXCLUSIVE PROPERTY OF PANELTRONICS, INC.
NOT FOR RELEASE WITHOUT PROPER WRITTEN
AUTHORIZATION THIS DOCUMENT DISCLOSES
INFORMATION WHICH PANELTRONICS INCORPORATED
HAS PROPRIETARY RIGHTS

PANELTRONICS
INCORPORATED
Paneltronics, Inc.
11960 N.W. 87th Court
Hialeah Gardens, FL 33018

**REAR VIEW
AC THREE BRANCH CIRCUIT
BREAKER WITH MAIN**

Drawn By:	A.A.	Date:	04/21/95
Revised By:	M.G./TG	Date:	06/06/02
Series/Model:	STD	Item:	CBPML

Sheet:	1 of 1	Scale:	1:1	Size:	B	DWG/Part #:	9972313	Rev:	0
--------	--------	--------	-----	-------	---	-------------	---------	------	---