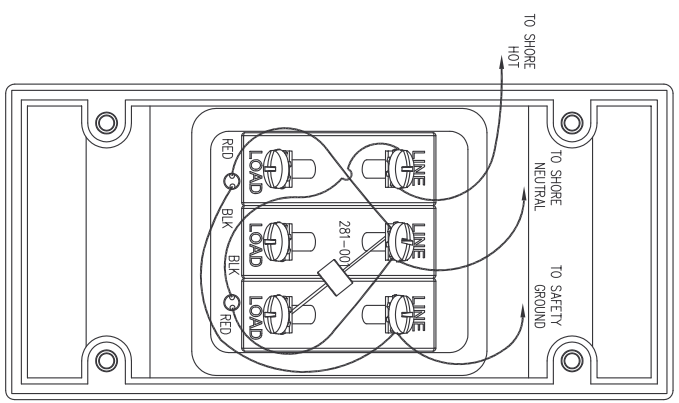
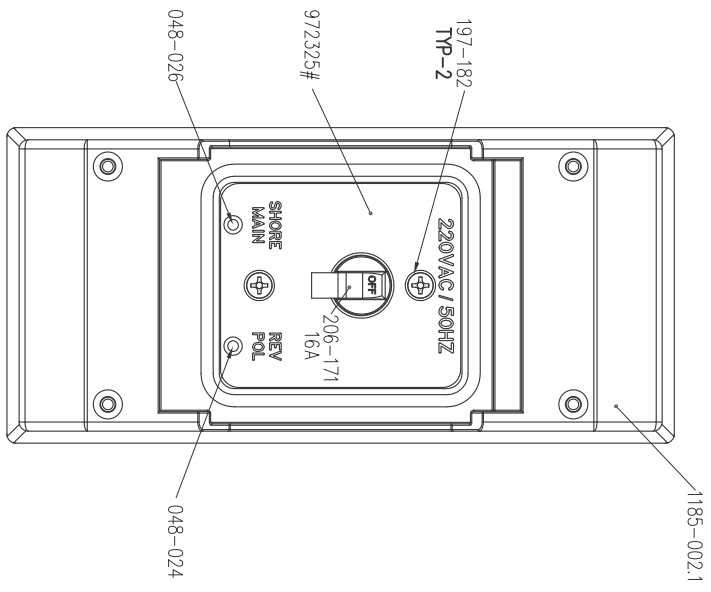


REVISIONS					
ZONE	REV.	DESCRIPTION	BY	DATE	ESR / ESN
	A	PROTOTYPE INITIAL RELEASE	J. DUAZ	01/20/2010	14150



ITEM NO.	PART NUMBER	DESCRIPTION	QTY.
1	048-024	LED, RED 240VAC 5/32"DIAMETER	1
2	048-026	LED, GREEN 240VAC 5/32"DIAMETER	1
3	1185-002.1	ENCLOSURE 2/3 POLE RCD - P/M, MODIFIED	1
4	197-182	SCREW, #0-32 x 1/4 FHP MS SS BLK	2
5	197-188	SCREW, #10-32 X 3/8" PHC SS W/ETS WASHER	6
6	206-171	CB, 3P 16A/65VAC RND WHIT CE/UR MAG	1
7	281-001	SURGE ARRESTER 75VDC	1
8	9972325#	PNL, 220VAC-50HZ MAIN DIST	1

**IPANELTRONICS**  
MAMM, FLORIDA

UNLESS OTHERWISE SPECIFIED:  
DIMENSIONS ARE IN INCHES  
TOLERANCES: ± .010  
FINISH: BRN  
NO. OF PLACE EQUAL: ±  
MATERIAL: PER ANS/ASME  
INTERPRET DRAWING PER  
MATERIAL

DESIGNED: M. Gonzalez DATE: 10/21/09  
CHECKED: B. O'Brien  
ENG. APPR: B. O'Brien

COMMENTS: WATERPROOF MAIN DISC  
220VAC/16A/50HZ

SIZE: DIM. NO. C  
9972325

SCALE: 1:1

REV: A

SHEET 1